

Pyxis[®] | User Manual

PRISM[™] RT-100

INLINE REFRACTOMETER



Pyxis Lab, Inc.
1729 Majestic Drive (Suite 05)
Lafayette, Colorado 80026
+1 (866) 203-8397

Prism RT-100 Online Digital Refractometer User Manual

December 2021 Rev. 1.03

Pyxis Lab, Inc.

1729 Majestic Dr. Suite 5

Lafayette, CO 80026 USA

www.pyxis-lab.com

© 2017 Pyxis Lab, Inc.

Pyxis Lab Proprietary and Confidential

Table of Contents

1 Introduction	2
1.1 Main Features.....	2
2 Specifications	3
3 Unpacking Instrument	4
3.1 Standard Accessories.....	4
3.2 Optional Accessories.....	5
4 Installation	5
4.1 Main Assembly.....	5
4.2 Piping	6
4.3 Wiring	7
4.4 Connecting via Bluetooth	8
5 Instrument Overview	9
5.1 Key Functions.....	9
5.2 Measurement Modes	10
5.3 Sensitivity Setup.....	10
5.4 Cleaning Cycle Programming and Reset of Parameters	11
6 Calibration	12
6.1 Air Calibration of Refractive Index.....	12
6.2 Brix and Other Liquid Concentration Offset Calibration	13
7 Setup and Configuration with uPyxis® Mobile App	13
7.1 Download uPyxis® Mobile App.....	13
7.2 Connecting to uPyxis® Mobile App	14
7.3 Calibration Screen and Reading.....	15
7.4 Diagnosis Screen	16
7.5 Device Info Screen	17
8 Setup and Calibration with uPyxis® Desktop App	17
8.1 Install uPyxis® Desktop App	17
8.2 Connecting to uPyxis® Desktop App	18
8.3 Information Screen	19

8.4 Calibration Screen.....	20
8.5 Diagnosis Screen	21
9 Outputs	21
9.1 4–20mA Output Setup.....	21
9.2 Communication using Modbus RTU	22
10 Sensor Maintenance and Precaution	23
10.1 Methods to Cleaning the Prism RT-100.....	23
11 Contact Us	23

Warranty Information

Confidentiality

The information contained in this manual may be confidential and proprietary and is the property of Pyxis Lab, Inc. Information disclosed herein shall not be used to manufacture, construct, or otherwise reproduce the goods described. Information disclosed herein shall not be disclosed to others or made public in any manner without the express written consent of Pyxis Lab, Inc.

Standard Limited Warranty

Pyxis Lab warrants its products for defects in materials and workmanship. Pyxis Lab will, at its option, repair or replace instrument components that prove to be defective with new or remanufactured components (i.e., equivalent to new). The warranty set forth is exclusive and no other warranty, whether written or oral, is expressed or implied.

Warranty Term

The Pyxis warranty term is thirteen (13) months ex-works. In no event shall the standard limited warranty coverage extend beyond thirteen (13) months from original shipment date.

Warranty Service

Damaged or dysfunctional instruments may be returned to Pyxis for repair or replacement. In some instances, replacement instruments may be available for short duration loan or lease.

Pyxis warrants that any labor services provided shall conform to the reasonable standards of technical competency and performance effective at the time of delivery. All service interventions are to be reviewed and authorized as correct and complete at the completion of the service by a customer representative, or designate. Pyxis warrants these services for 30 days after the authorization and will correct any qualifying deficiency in labor provided that the labor service deficiency is exactly related to the originating event. No other remedy, other than the provision of labor services, may be applicable.

Repair components (parts and materials), but not consumables, provided during a repair, or purchased individually, are warranted for 90 days ex-works for materials and workmanship. In no event will the incorporation of a warranted repair component into an instrument extend the whole instrument's warranty beyond its original term.

Warranty Shipping

A Repair Authorization (RA) Number must be obtained from Pyxis Technical Support before any product can be returned to the factory. Pyxis will pay freight charges to ship replacement or repaired products to the customer. The customer shall pay freight charges for returning products to Pyxis. Any product returned to the factory without an RA number will be returned to the customer. To receive an RMA you can generate a request on our website at <https://pyxis-lab.com/request-tech-support/>.

Pyxis Technical Support

Contact Pyxis Technical Support at +1 (866) 203-8397, service@pyxis-lab.com, or by filling out a request for support at <https://pyxis-lab.com/request-tech-support/>.

1 Introduction

The Pyxis Prism RT-100 is an online digital refractometer that measures the refractive index of a liquid sample. This sensor provides a direct reading of highly accurate concentration values for a wide variety of water and process related applications. It is a stand-alone device capable of self-sustained operation, live data display, and data logging. The Prism RT-100 also offers fully integrated 4-20mA and RS-485 Modbus output signals for connectivity to any microprocessor-based controller, display, PLC, or DCS network. The Prism RT-100 has built-in temperature-dependent equations to convert the measured sample temperature and refractive index to the percentage concentration of Mono Ethylene Glycol (MEG), Mono Propylene Glycol (MPG), Sugar Content (Brix) and Advanced Low Viscosity Fluid (ALV).

NOTE *The Prism RT-100 is a very robust sensor and capable of operating in contaminated fluid samples. It is important, however, to note that users should take all precautions to prevent and filter suspended solids from the sample stream prior to the sensor to avoid tenacious deposit build-up on the sensor eye. In highly fouled applications, Pyxis recommends users conduct sensor eye cleaning on a regular basis. Pyxis Lab offers the Ultra-Sonic RT-100 Cleaning Module Kit (P/N 56208) for installation into the Tri-Clamp Flow Cell Assembly as an optional accessory allowing for automated online cleaning of the RT-100 refractive index sensor. Contact www.order@pyxis-lab.com for technical and pricing details of this online cleaning accessory.*

1.1 Main Features

- 4-20mA output of sample temperature and the displayed unit selected via the screen interface.
- RS-485 Modbus RTU output of temperature, refractive index and other diagnosis parameters.
- Built-in temperature dependent equations % BRIX, % MPG, % PEG, % ALV, %ALV+ and %GEO.
- Local display and historical data log saved in the unit programmable via **uPyxis®** App.
- Sturdy 316L stainless steel construction and suitable for harsh application environments.
- Convenient stainless-steel Tri-Clamp Tee with 3/4-inch NPT Flange for Easy Install and Removal.

2 Specifications

Table 1. Prism RT-100 Specifications

ITEM	RT-100 PRISM
P/N	55105
RANGE OF MEASUREMENT	Refractive Index: 1.31700 – 1.5100 Brix: 0.00 – 85.00% Mono Ethylene Glycol: 0.00 – 100.00% Mono Propylene Glycol: 0.00 – 100.00% Advanced Low Viscosity Fluid: 0.00 – 100.00% Temperature: -20°C – 80°C
RESOLUTION	Refractive Index: 0.00001 Brix and Glycol: 0.01%
ACCURACY	Refractive Index: ± 0.0001 Brix and Glycol: $\pm 0.1\%$
SAMPLE TEMPERATURE	-4 – 158 °F (-20 – 70 °C)
MAX SAMPLE PRESSURE / FLOW	≤ 142 psi (0.98 MPa) / < 13.5 GPM (9.8 ft/s)
ENVIRONMENTAL TEMPERATURE	14 – 104 °F (-10 – 40 °C)
WEIGHT	3.7 pound (1.7 kg)
DIMENSION	4.33 x 4.57 inch (110 x 116 mm)
PROTECTION	IP-67
LIGHT SOURCE	LED
WET MATERIALS	Sapphire, 316L Stainless steel
SIGNAL OUTPUT	2x 4-20 mA and RS-485 Modbus
POWER	24 VDC (1.5W)
REGULATION	CE / RoHS Marked

* With Pyxis's continuous improvement policy, these specifications are subject to change without notice.

3 Unpacking Instrument

Remove the instrument and accessories from the shipping container and inspect each item for any damage that may have occurred during shipping. Verify that all accessory items are included. If any item is missing or damaged, please contact Pyxis Lab Customer Service at service@pyxis-lab.com.

3.1 Standard Accessories

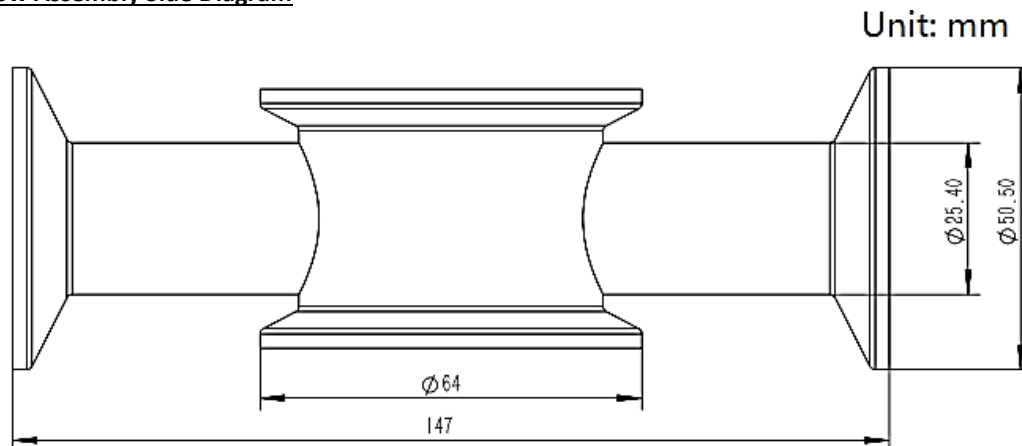
RT-100 Prism Package (P/N 55105)

- The package should include one RT-100 Prism Refractive Index Sensor w/8Pin Female Cable
- One 316L Stainless Steel Tri-Clamp Flow Cell Assembly (P/N 56206)
- One MA-1.5CR Cable (1.5 Meter/ 4.9 ft 8Pin Male Adapter/Flying Lead) (P/N 50746)
- One Prism RT-100 Wall Outlet Power Supply Kit (110VAC/24VDC – 2Pin) (P/N 56207)



Figure 1. RT-100 Prism / Tri-Clamp Flow Cell Assembly / MA-1.5 Flying Lead Cable / 110VAC-24VDC Power Supply

Tri-Clamp Flow Assembly Side Diagram



3.2 Optional Accessories

The following optional accessories can be ordered from Pyxis Customer Service (order@pyxis-lab.com) or Pyxis E-Store at <https://pyxis-lab.com/shop/>.

Table 2. Optional Accessories

Optional / Replacement Accessories	Part Number (P/N)
Prism RT-100 Wall Outlet Power Supply Adapter Kit <i>(Plug In Power Supply Kit - Converts Wall Outlet 110VAC to 24VDC for Prism RT-100 —2-Pin)</i>	56207
MA-CR <i>(Bluetooth Adapter for 8-Pin Pyxis Sensors for use with uPyxis Mobile & Desktop)</i>	MA-CR
MA-NEB <i>(USB Bluetooth Adapter for PC to use uPyxis Desktop)</i>	MA-NEB
MA-50CR <i>(50' Extension Cable w/ 8-Pin Adapters)</i>	50743
Pyxis Probe Cleaning Kit	SER-01
Tri-Clamp Flow Cell Assembly Complete Replacement	56206
Tri-Clamp Flow Cell Assembly Replacement Gasket Kit	56209
Ultra-Sonic RT-100 Cleaning Module Kit	56208

4 Installation

4.1 Main Assembly

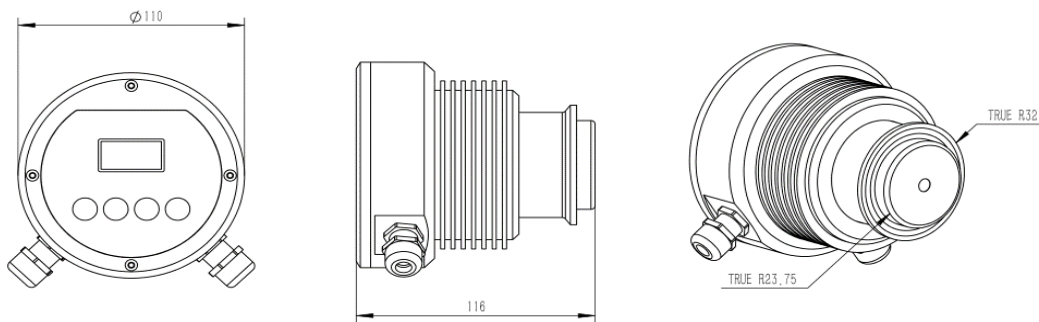


Figure 2. Prism RT-100 Sensor Dimensions (mm)

Each Prism RT-100 is provided with a 316L stainless steel Tri-Clamp Inline Flow Assembly with 3/4-inch FNPT inlet/outlet flanges. A flange and plug are also inserted into a portal opposite of the sensor eye for future automated sensor-eye cleaning accessories currently under development by Pyxis Lab.

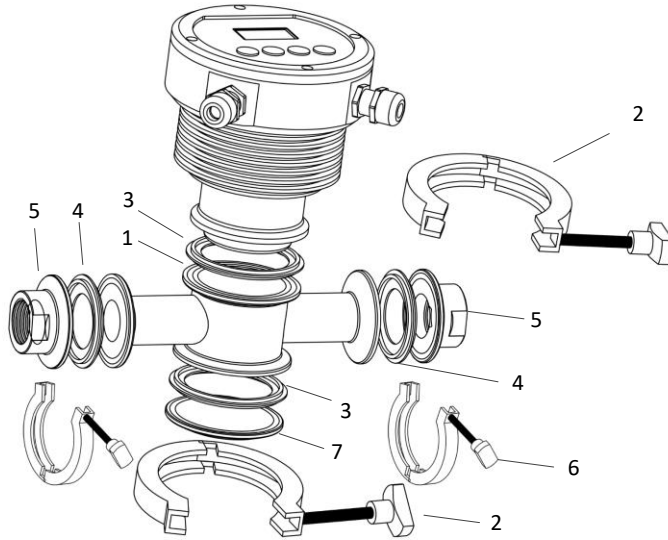


Figure 3. Tri-Clamp Flow Cell Assembly (P/N: 56206)

Table 3. Tri-Clamp Flow Cell Assembly Components

ID #	Description
1	Flow cell with 2.5-inch Port for Prism RT-100 Sensor Head
2	Sensor Tri-Clamp 2.5-inch
3, 4	Tri-Clamp Flow Cell Gasket Kit (P/N: 56209)
5	3/4-inch NPT Flange
6	Flange Tri-Clamp 2-inch
7	Plug Cap ϕ 64mm,Reserved Self-cleaning

4.2 Piping

The Prism RT-100 with Tri-Clamp Flow Cell Assembly should be installed per the diagram provided in Figure 4. Be sure to avoid installations illustrated in Figure 5.

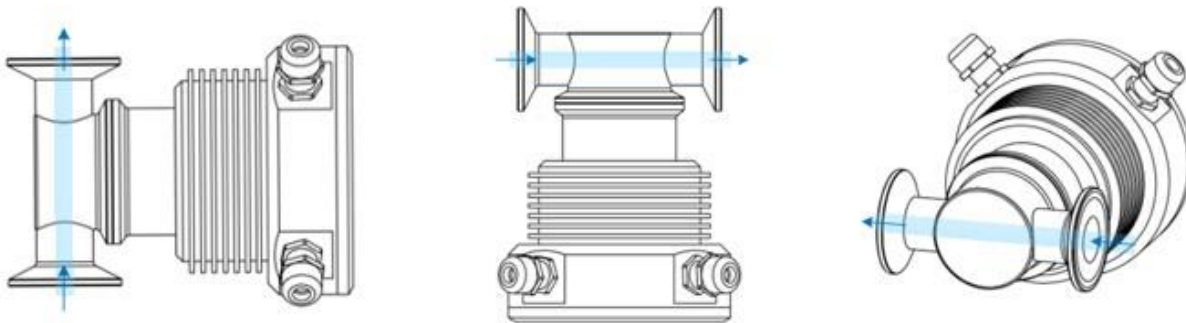


Figure 4. Correct Installations

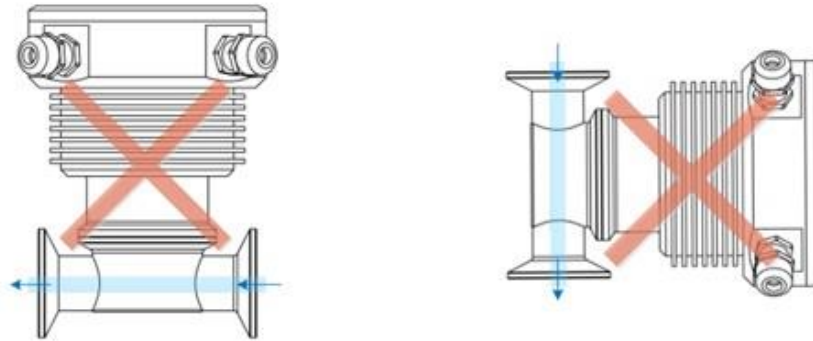


Figure 5. Incorrect Installations

4.3 Wiring

The Prism RT-100 unit offers two (2) cable points of attachment, both terminated with a unique connector (Figure 6). The Prism RT-100 may be powered via a direct 24VDC supply source (via 8-Pin cable provided with the Prism RT-100) or by the provided accessory called Prism RT-100 Wall Outlet Power Supply Adapter Kit (P/N 56207). Explanation of each option below:

Powered by a Direct 24VDC Power Source via 8-Pin Cable Provided with Prism RT-100

For applications where the Prism RT-100 is connected to and directly powered by 24VDC source (Controller, PLC, DCS etc.), the device should be connected via the 8-Pin Cable and MA-1.5CR Flying Lead Cable. These cables provide power as well as 4-20mA and RS-485 output communication to the connected device. Please refer to Table 4 for wire designations of the 8-pin cables.

Powered by a Prism RT-100 Wall Outlet Power Supply Adapter Kit (Optional Accessory) For applications desiring the Prism RT-100 to be powered by a standard 110VAC wall outlet, Pyxis offers the Prism RT-100 Wall Outlet Power Supply Kit (P/N: 56207). This kit offers a 2-Pin cable and wall outlet adapter for direct power supply from a standard 110VAC wall outlet. ***NOTE*** *In the wall outlet powering format, there is no need to terminate the power supply portion of the 8-Pin Cable. This cable may continue to be used in order to pass 4-20mA and RS-485 output signals or for use with the MA-CR Bluetooth adapter for uPyxis® App access.*

Table 4. Wire Designations

Wire Color	Designation
Red	24V +
Brown	24V Power ground
Gray*	4–20mA -
White	nD/Brix/Others %, 4–20mA +
Pink	Temperature, 4–20ma +
Blue	RS-485 A
Yellow	RS-485 B
Green	RS-485 Ground

* **Gray Wire** Internally connected to the power ground



Figure 6. Prism RT-100 with Wall Outlet Supply Adapter Kit (P/N: 56207) and MA-1.5CR Flying Lead Cable (P/N: 50746)

4.4 Connecting via Bluetooth

Connect the Prism RT-100 to the Pyxis MA-CR Bluetooth adapter and a 24 VDC power source according to the figures below. Figure 7 shows that the Prism RT-100 is powered by a controller through the 8-Pin cable provided with the Prism RT-100. Figure 8 shows the Prism RT-100 is powered by the Prism RT-100 Wall Outlet Power Supply Adapter (P/N: 56207) through the 2-Pin cable.

NOTE *uPyxis® Mobile allows mobile devices to wirelessly speak directly to the MA-CR Bluetooth Adapter. uPyxis® Desktop requires MA-NEB (USB Bluetooth adapter) to be installed in the PC for wireless access to MA-CR.*

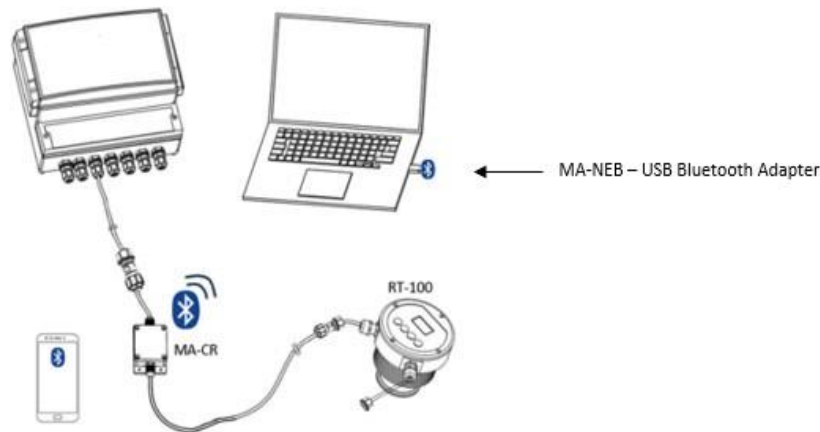


Figure 7. 24VDC Powered via Controller through 8-Pin Cable and MA-CR Bluetooth Adapter

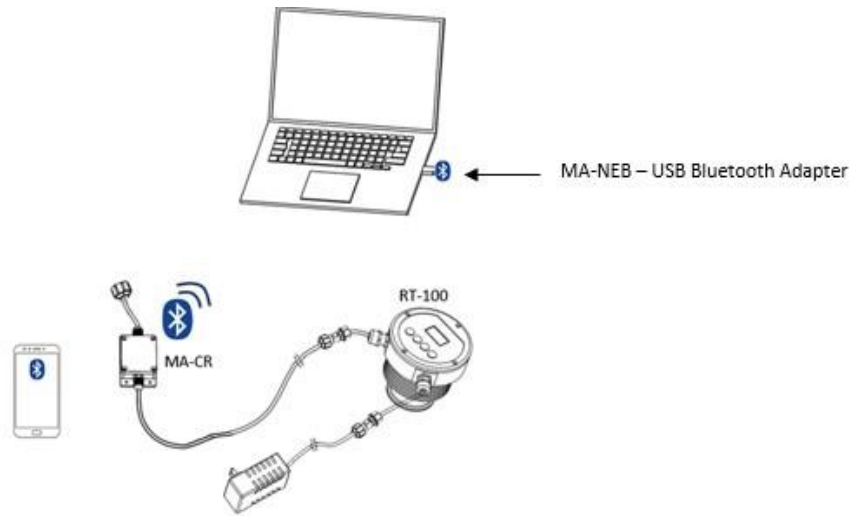


Figure 8. 24VDC Powered via 110VAC Wall Outlet through Prism RT-100 Wall Outlet Power Supply Adapter (P/N: 56207)

5 Instrument Overview

5.1 Key Functions

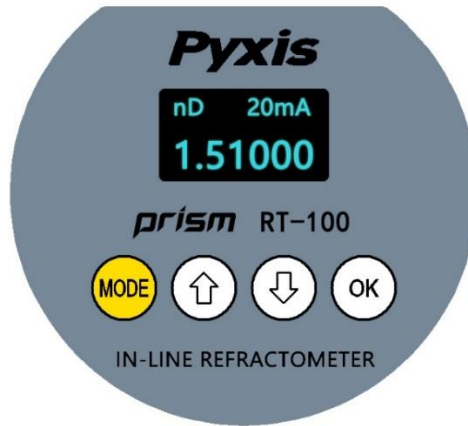



Figure 9. Prism RT-100 Main Display Screen

Table 5. Prism RT-100 Key Functions

Key	Function Description
MODE	Launch setup function associated with the current mode
↑ and ↓	Select measurement modes (units); select available selections associated
OK	Selection confirmation, (Press 3S to set the HOME  display)

5.2 Measurement Modes

The Prism RT-100 measures the sample refractive index (nD) and temperature. Use the arrow keys to select the concentration units that are calculated from nD and the temperatures with using the pre-loaded equations for Brix, MPG, MEG, and ALV, etc. The main output of 4-20mA signal value switches with the display concentration selected per the 4-20mA output scales section 9.1 of this manual.



Figure 10. nD



Figure 11. MEG %



Figure 12. MPG %



Figure 13. ALV %



Figure 14. Brix %



Figure 15. GEO %

5.3 Sensitivity Setup

A higher sensitivity value set will result in a slower sensor response and the displayed value will show less fluctuation. For applications that require very accurate refractive index measurement, and the refractive index does not undergo any rapid changes in the time scale of minutes, the sensitivity should be set up to the highest value of 30.



Figure 16. - Sensitivity

5.4 Cleaning Cycle Setup

RT-100 supports an extended ultrasonic cleaning function using the Ultra-Sonic RT-100 Cleaning Module Kit (P/N 56208). When working in synchronization with the RT-100 Ultrasonic Cleaning Module, the working cleaning cycle is set by RT-100 in increments of every 5, 15 or 30 minutes for a cleaning duration of 5-seconds per cycle. The RT-100 default programmed cleaning time is every 15-minutes. For pricing, technical data and programming of the Ultra-Sonic Cleaning Module Kit, please contact order@pyxis-lab.com



Figure 17. – Programming the Clean Cycle Frequency

5.5 Reset Parameters

This mode will erase the user's calibration and setting information, restore the factory calibration and setting information, including air calibration, brix/liquid concentration offset calibration, sensitivity, etc.



Figure 18.



Figure 19.

6 Calibration

Calibration for refractive index is not required for the RT-100 use. The Prism RT-100 can however be calibrated in air to correct possible misalignment and aging of the optic components. An offset calibration for each concentration unit is provided by using a liquid sample with known concentration value.

6.1 Air Calibration of Refractive Index

1. Clean the Prism RT-100 sapphire lens with soft tissue.
2. If any tenacious deposits are present on the sensor lens, you may pre-soak the sensor lens in Pyxis Probe Cleaning Solution (P/N: SER-01) for 10–15 minutes, then rinse with clean water and wipe with soft tissue prior to proceeding to air calibration of refractive index.

NOTE Please refer to the Section 10.1 **Methods to Cleaning the Prism RT-100** for details.

3. After properly cleaning the sensor lens, remove any residual liquid from the sapphire lens.
4. Shield the lens from the ambient light.
5. Press the **MODE** key on the face of the unit to launch the air calibration interface (Figure 20).
6. Hold the **OK** key on the face of the unit for 3 seconds to start the air calibration process (Figure 21).
7. Once the calibration is complete, press the **MODE** key to return to measurement mode (Figure 22).



Figure 20.



Figure 21.

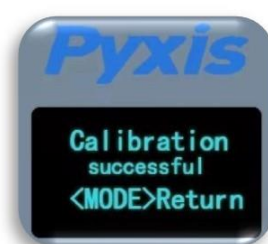


Figure 22.

6.2 Brix and Other Liquid Concentration Offset Calibration

The refractive index value does not require calibration as stated in Section 6.1. The refractive index and temperature values are internally converted to the desired liquid concentration unit selected through the display of the sensor interface. This displayed liquid concentration unit value may be calibrated to a known solution if desired. To do this:

1. Place the Prism RT-100 in the calibration liquid of a known concentration making sure the sensor is covered from ambient light.
2. Use the **arrow** keys on the sensor display to select the corresponding concentration unit of your sample.
3. Press the **MODE** key on the sensor display to launch the offset calibration interface for the specific concentration unit selected.
4. Proceed through the screen prompt steps to calibrate unit to the known concentration of liquid standard.



Figure 23.

7 Setup and Configuration with uPyxis® Mobile App

7.1 Download uPyxis® Mobile App

Download uPyxis® Mobile App from [Apple App Store](#) or [Google Play](#).



Figure 24. uPyxis® Mobile App installation

7.2 Connecting to uPyxis® Mobile App

Connect the Prism RT-100 sensor to a mobile smart phone according to the following steps:

1. Install the MA-CR Bluetooth Adapter on the 8Pin output cable from the RT-100 as outlined on page 8-9 as seen in **Figure 7** (if powered by a controller) or **Figure 8** (if powered by the RT-100 Wall Outlet Power Adapter).
2. Open **uPyxis®** Mobile App.
3. On **uPyxis®** Mobile App, swipe down with finger on the main screen to refresh the list of available Pyxis devices.
4. If the connection is successful, the Prism RT-100 and its Serial Number (SN) will be displayed (Figure 25).
5. Press on the **Prism RT-100 sensor image**.

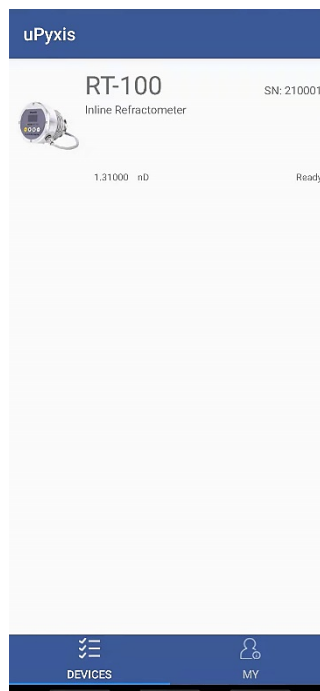


Figure 25. – Discovered RT-100 on uPyxis Mobile APP

7.3 Calibration Screen and Reading

When connected, the uPyxis® Mobile App will default to the **Calibration** screen. From the **Calibration** screen, the user can perform the various forms of calibrations as discussed in this manual (see Sections 6.1 and 6.2) by pressing on **Air Calibration** and **Bias Calibration (Offset Calibration)**. The calibration objective is determined by the drop-down box selected. Follow the screen instructions for each calibration step.

The user may also perform a factory reset of all calibration values saved in the device by pressing **Restore Factory** and entering "upyxis" into the prompt.

Setting 4-20mA Range The 4-20mA output range for any concentration scale may be modified by the user, if the default range is not suitable for you. This feature enables the user to adjust the 4-20mA output values of the RT-100 for the concentration curve as desired. ***NOTE*** 20mA value adjustment must be *LESS* than the highest default 20mA output value of the concentration selected. (ie. for BRIX concentration, the 20mA value may be set to 100% or lower). Please refer to Section 9.1 for default 4-20mA output scales of the RT-100.



Figure 26. – Calibration Screen Interface uPyxis Mobile APP.

7.4 Diagnosis Screen

From the **Diagnosis** screen, the user can check the diagnosis condition. This feature may be used for technical support when communicating with service@pyxis-lab.com.

The user can choose the time period of data export, including: hour, day, week, half month, and all data stored. After selecting the time, press **Export History Data** and wait for the progress bar to load.

NOTE *The Prism RT-100 is programmed to store data at a frequency of once per minute with a maximum of 56 days storage capacity.*

The **Diagnosis** screen’s functions are described in table below:

Table 6. – Diagnosis Screen Functions

Function	Description
Wipe History Data	It is convenient to clear unnecessary historical data. This process is relatively slow. Do not power off during the process.
Export Spectrum	Derive the original spectrum.
Export History Data	The historical data is exported and saved in CSV format. The storage contents include refractive index nD, temperature °C, Brix, MEG, PEG and others.
Save & Share	Save the data and send it to other software.
Hour (Dropdown)	Select the length of time to export data. The latest hour is exported by default. Users may select Day, Week, and Half-Month. Data can be exported for up to 56 days.

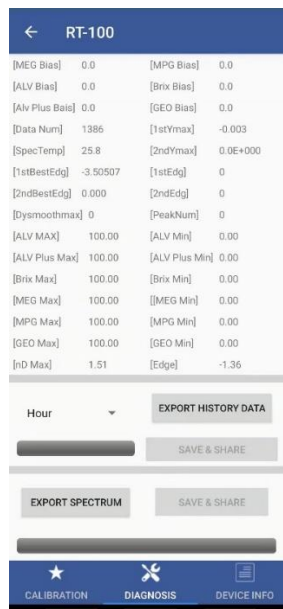


Figure 27. – Diagnosis Screen Interface and Exporting Historical Data

7.5 Device Info Screen

From the **Device Info** screen. You can name the Device or Product as well as set the Modbus address.

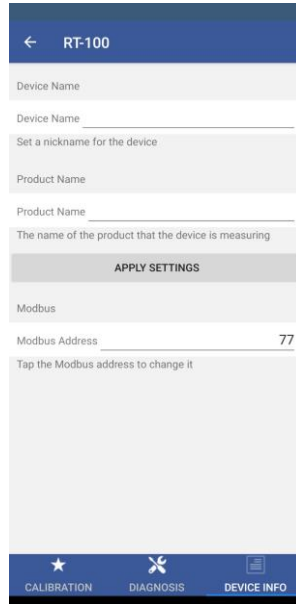


Figure 28. – Device Info Screen Interface

8 Setup and Calibration with uPyxis® Desktop App

8.1 Install uPyxis® Desktop App

Download the latest version of **uPyxis®** Desktop software package from: <https://pyxis-lab.com/wp-content/uploads/2021/10/uPyxis.Setup-1.5.19.5-20211015.zip>

This setup package will download and install the Microsoft.Net Framework 4.5 (if not previously installed on the PC), the USB driver for the USB-Bluetooth Adapter (MA-NEB), the USB-485 Adapter (MA-485), and the main **uPyxis®** Desktop application. Double click the **uPyxis.Setup.exe** file to install.

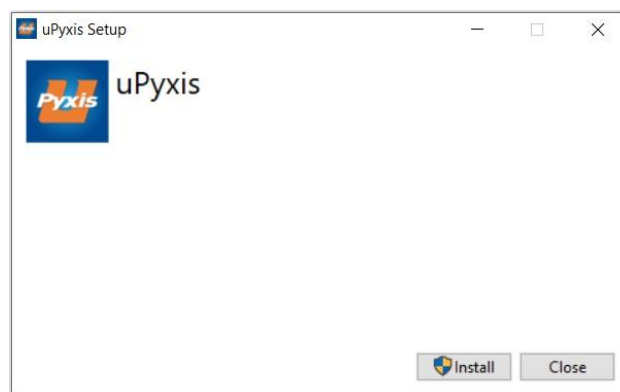


Figure 29. uPyxis® Desktop App installation

Click **Install** to start the installation process. Follow the screen instructions to complete the USB driver and **uPyxis®** installation.

8.2 Connecting to uPyxis® Desktop App

Connect the Prism RT-100 sensor to a Windows computer using a Bluetooth/USB adapter (P/N: MA-NEB) installed into the PC being used and the MA-CR Bluetooth Adapter (P/N: MA-CR) installed on the 8-Pin output cable of the RT-100 according to the following steps:

1. Install the MA-CR Bluetooth Adapter on the 8Pin output cable from the RT-100 as outlined on page 8-9 as seen in **Figure 7** (if powered by a controller) or **Figure 8** (if powered by the RT-100 Wall Outlet Power Adapter).
2. Plug the MA-NEB Bluetooth/USB adapter into a USB port in the computer being used with uPyxis Desktop.
3. Launch the **uPyxis®** Desktop App.
4. On **uPyxis®** Desktop App, click Device → **Connect via USB-Bluetooth** (Figure 30).
5. If the connection is successful, the Prism RT-100 and its Serial Number (SN) will be displayed in the left pane of the **uPyxis®** window.



NOTE After the sensor and Bluetooth is powered up, it may take up to 10 seconds for the adapter to establish the wireless signal for communication.

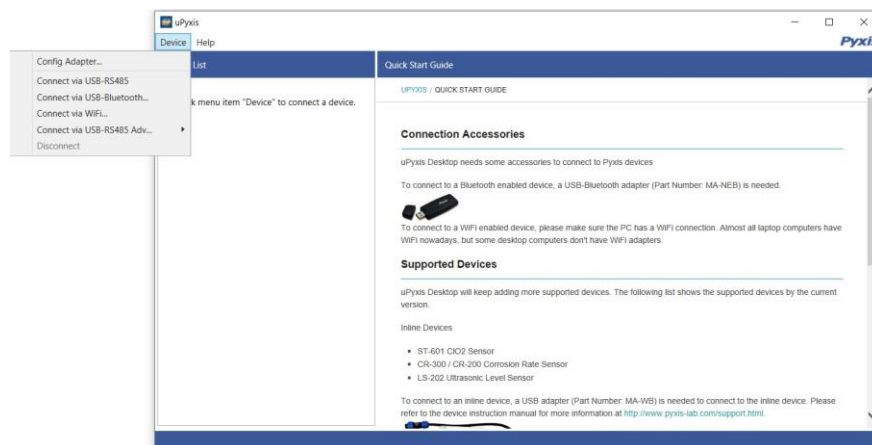


Figure 30. – Selecting Connect with USB/Bluetooth (MA-NEB)

8.3 Information Screen

Once connected to the device, a picture of the device will appear on the top left corner of the window and the uPyxis® Desktop App will default to the **Information** screen. On the **Information** screen you can set the information description for **Device Name**, **Product Name**, and **Modbus Address**, then click **Apply Settings** to save.

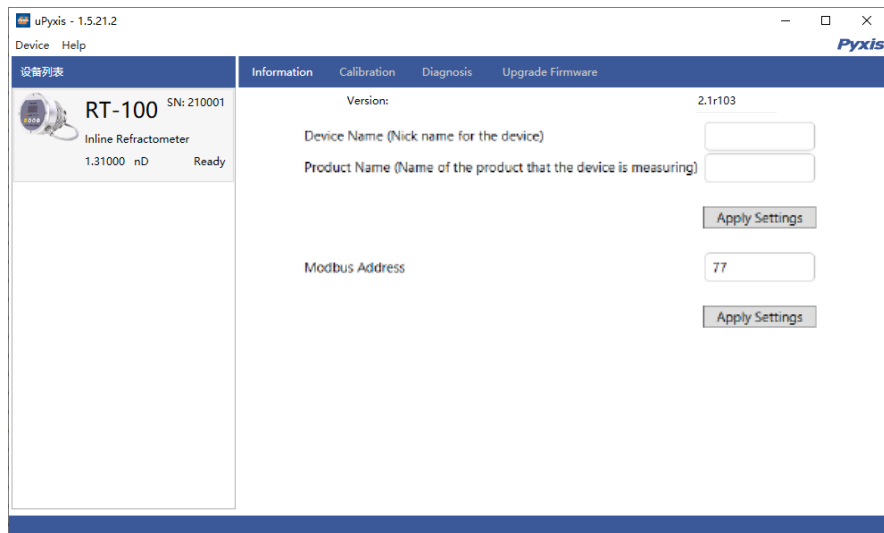


Figure 31. – Information Screen uPyxis Desktop

8.4 Calibration Screen

To calibrate the device, click on **Calibration**. From the **Calibration** screen, the user can perform the various forms of calibrations as discussed in this manual (see Sections 6.1 and 6.2) by pressing on **Air Calibration and Bias Calibration (Offset Calibration)**. The calibration objective is determined by the drop-down box selected. On the **Calibration** screen there are seven calibration options based on the including **AIR CALIBRATION, BRIX, MEG, MPG, ALV, ALV+ and GEO**. Follow the screen instructions for each calibration step.

The user may also perform a factory reset of all calibration values saved in the device by pressing **Restore Factory** and entering 'upyxis' into the prompt.

Setting 4-20mA Range The 4-20mA output range for any concentration scale may be modified by the user, if the default range is not suitable for you. This feature enables the user to adjust the 4-20mA output values of the RT-100 for the concentration curve as desired. ***NOTE*** 20mA value adjustment must be LESS than the highest default 20mA output value of the concentration selected. (ie. for BRIX concentration, the 20mA value may be set to 100% or lower). Please refer to Section 9.1 for default 4-20mA output scales of the RT-100.

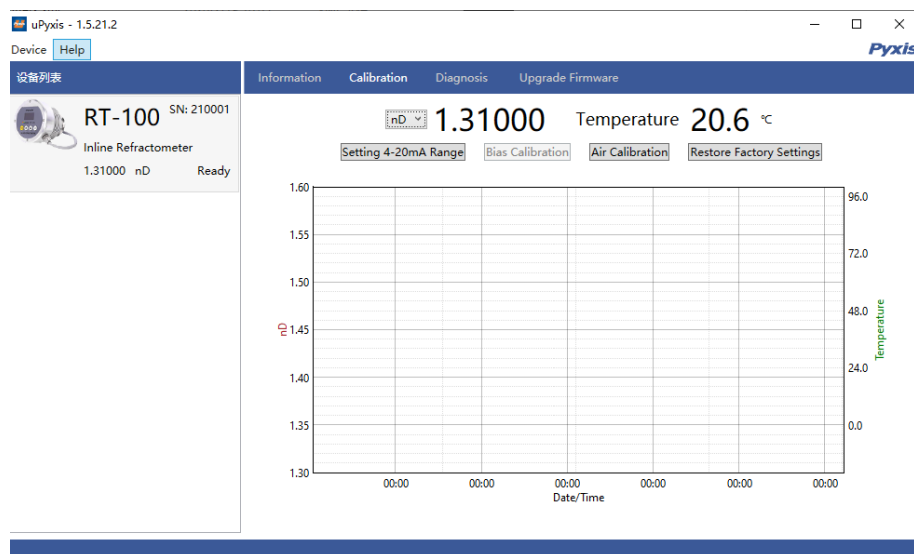


Figure 32.

8.5 Diagnosis Screen

From the **Diagnosis** screen, the user can check the diagnosis condition. This feature may be used for technical support when communicating with service@pyxis-lab.com.

The user can choose the time period of data export, including: hour, day, week, half month, and all data stored. After selecting the time, press **Export History Data** and wait for the progress bar to load.

NOTE *The Prism RT-100 is programmed to store data at a frequency of once per minute with a maximum of 56 days storage capacity.*

The **Diagnosis** screen's functions are described in table below:

Table 7.

Function	Description
Wipe History Data	It is convenient to clear unnecessary historical data. This process is relatively slow. Do not power off during the process.
Export Spectrum	Derive the original spectrum.
Export History Data	The historical data is exported and saved in CSV format. The storage contents include refractive index nD, temperature °C, Brix, EG, and other.
Save & Share	Save the data and send it to other software.
Hour (Dropdown)	Select the length of time to export data. The latest hour is exported by default. Users may select Day, Week, and Half-Month. Data can be exported for up to 56 days.

Figure 33.

9 Outputs

9.1 4–20mA Output Setup

The 4 ~ 20mA range can be modified by uPyxis, if the default range is not suitable (refer to Calibration Sections 7.3 and 8.4 of this manual). The 4–20mA default output of the Prism RT-100 sensor is scaled as outlined below.

Table 8.

Measurement Mode	4 mA Output Value	20 mA Output Value
Refractive Index (nD)	1.3170	1.5100
Brix (% or Bx)	0%	100%
Mono Ethylene Glycol (%MEG)	0%	100%
Mono Propylene Glycol (%MPG)	0%	100%
Advanced Low Viscosity Fluid (%ALV)	0%	100%
Advanced Low Viscosity Plus Fluid (%ALV+)	0%	100%
GEO Fluid (%GEO)	0%	100%
Temperature	-20 °C	80 °C

9.2 Communication using Modbus RTU

The Prism RT-100 sensor is configured as a Modbus slave device. In addition to the nD, %Bx, %MEG, %MPG, %ALV, %ALV PLUS, % GEO and temperature values, many operational parameters, including warning and error messages, are available via a Modbus RTU connection. Contact Pyxis Lab Customer Service (service@pyxis-lab.com) for more information.

10 Sensor Maintenance and Precaution

10.1 Methods to Cleaning the Prism RT-100

For most RT-100 sensor cleanings, the sapphire lens should be rinsed with clean or DI water than wiped clean with a soft tissue. If tenacious inorganic deposits are present on the sapphire lens, soak the lower half of the Prism RT-100 sensor in 100 mL of Pyxis inline sensor cleaning solution (SER-01) for 15-minutes. If the surface is not entirely clean, continue to soak the sensor for an additional time until clean. Lightly wipe the sensor lens with a soft tissue. Rinse sensor eye with clean or DI water. Pyxis Lab Inline Sensor Cleaning Solution can be purchased at our online E-Store/Catalog at <https://pyxis-lab.com/product/probe-cleaning-kit/>



Figure 34. Inline Probe Cleaning Solution Kit (P/N: SER-01)

11 Contact Us

Pyxis Lab, Inc

1729 Majestic Dr. Suite 5
Lafayette, CO 80026 USA

www.pyxis-lab.com

Phone: +1 (866) 203-8397

Email: service@pyxis-lab.com